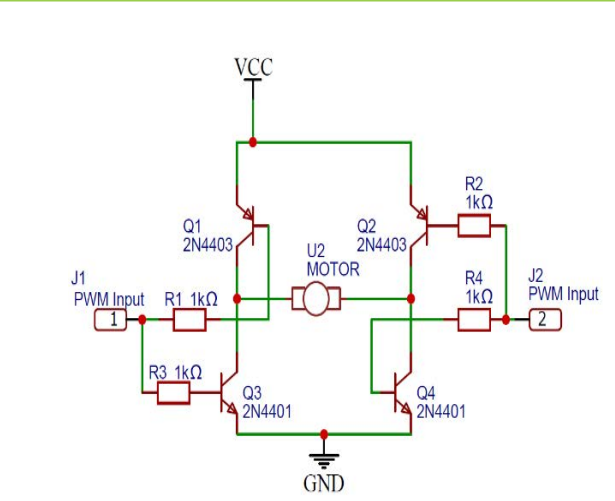
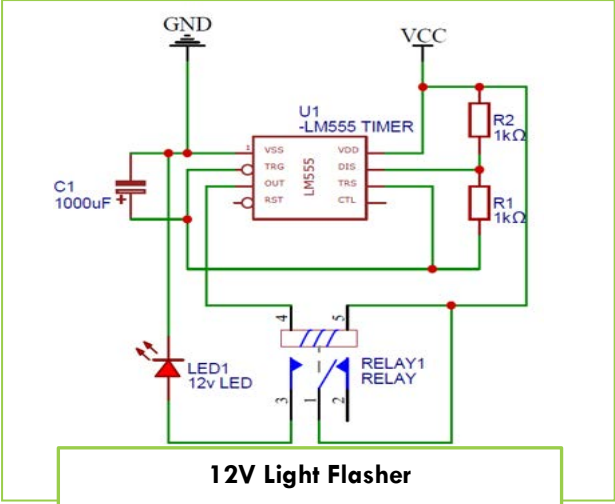
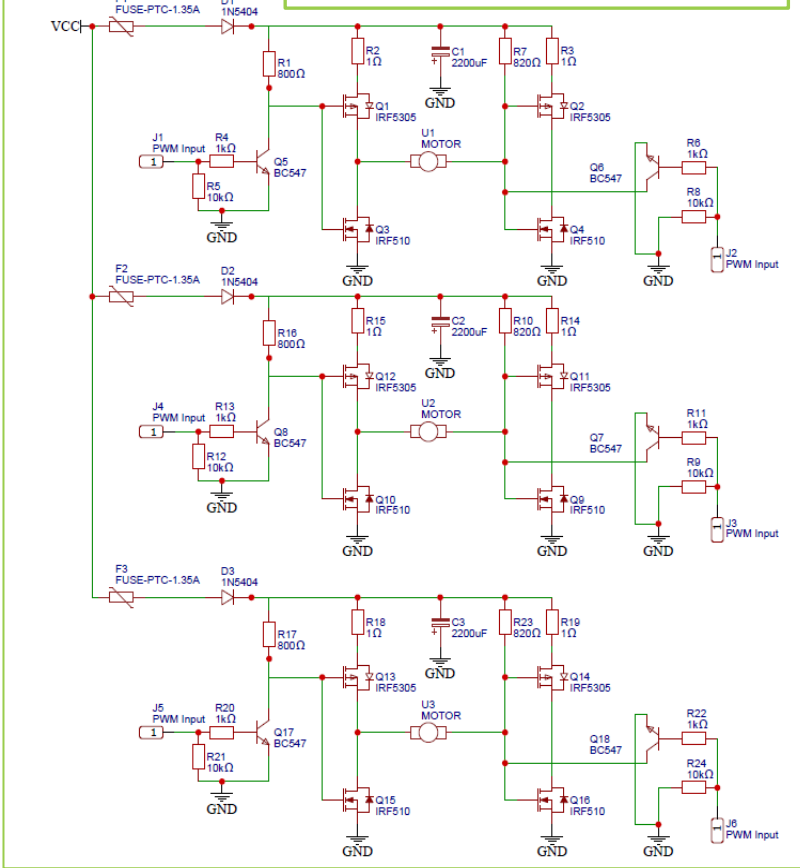


# Production Drawings of Electronic Components

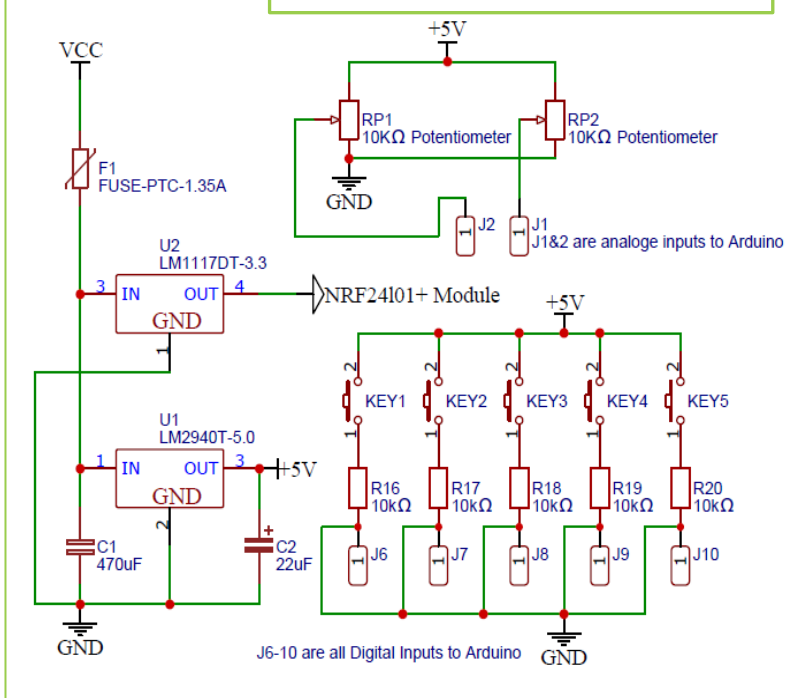
The circuit schematics were all created by me using **EasyEDA**.<sup>\*</sup> As the circuits are all interconnected, they reference each other through the use of tags.

<sup>\*</sup>With the exception of the two Arduinos schematics. As they are a standard circuit design, they were sourced by searching EasyEDA's extensive library.

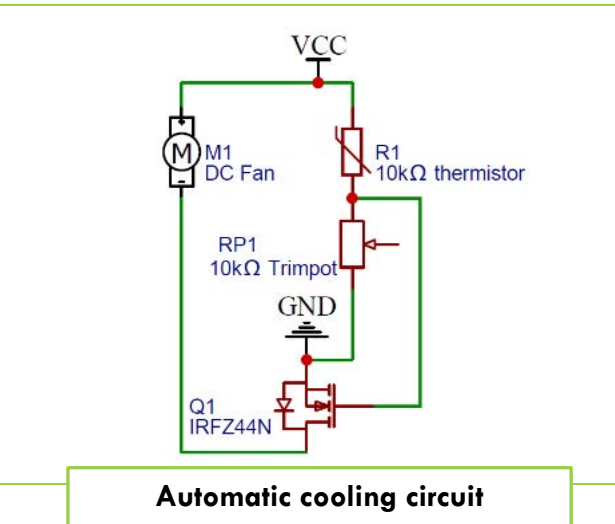
## New Main H-Bridges



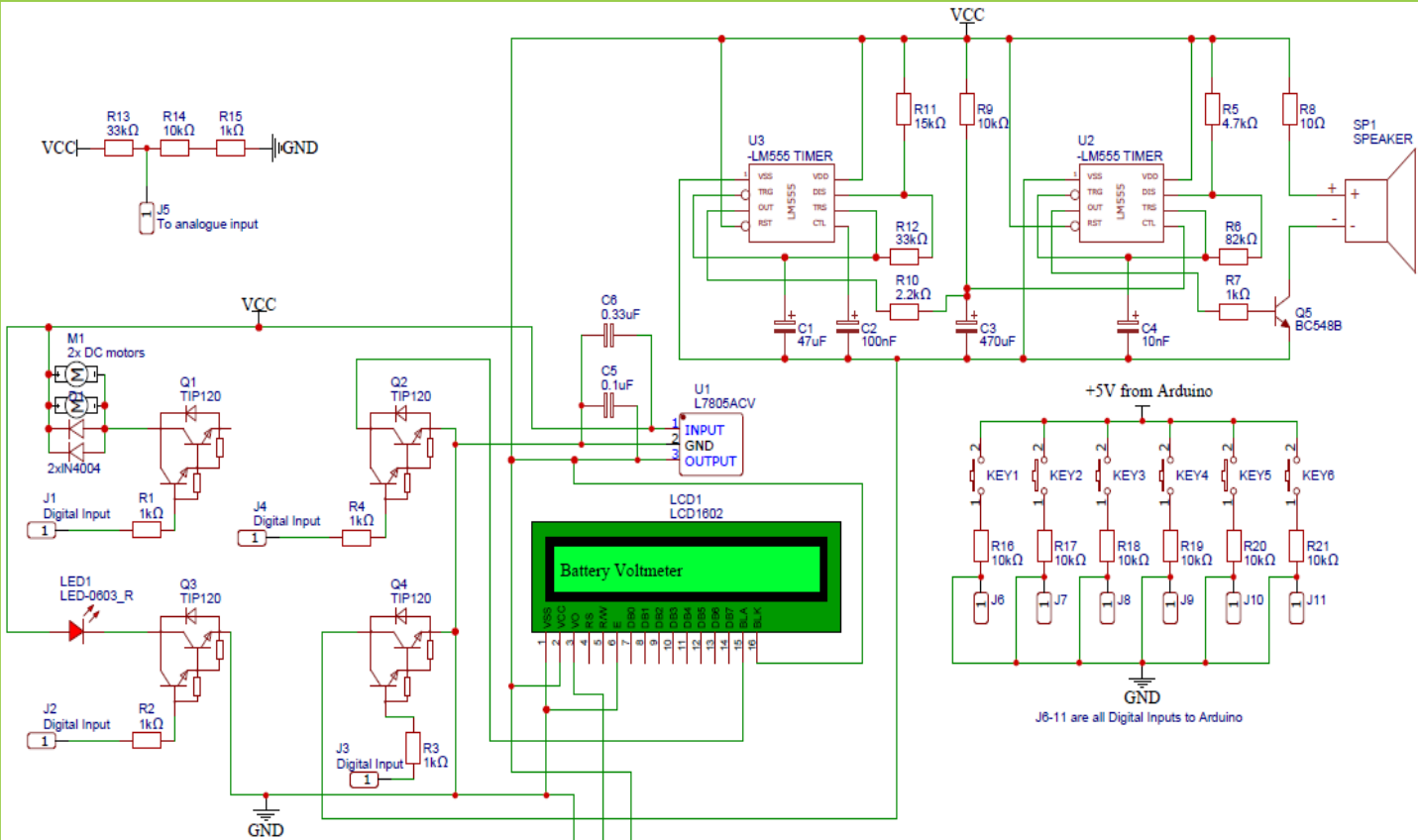
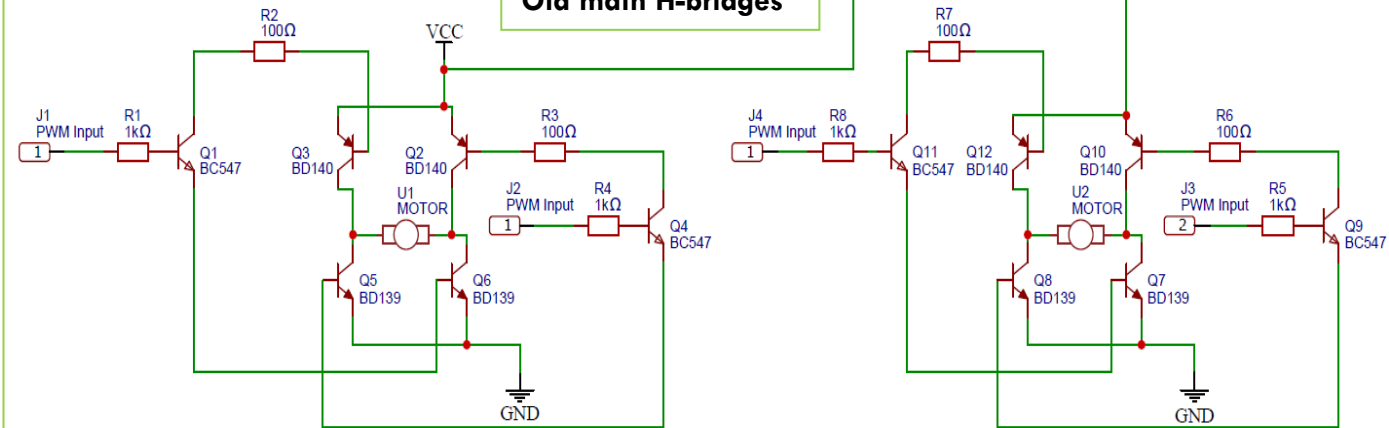
## Controller Circuits



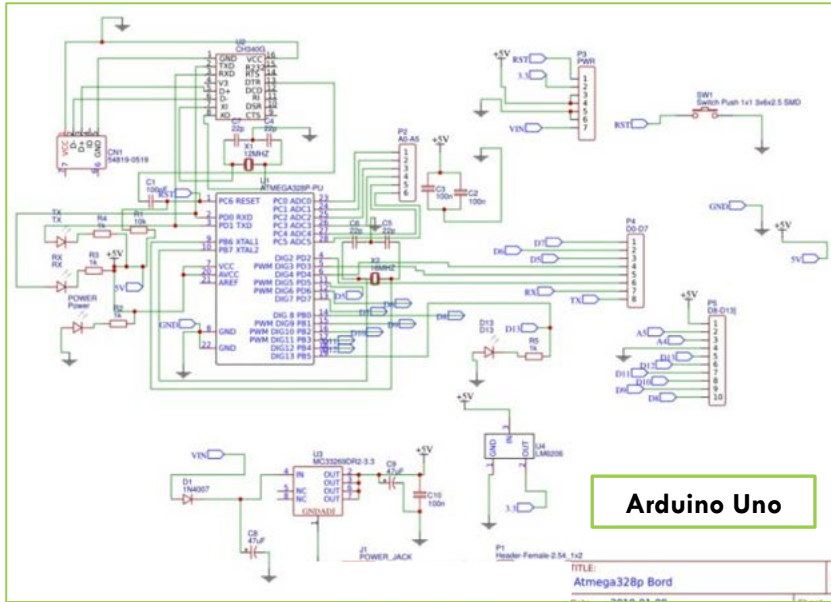
## Old Blaster attitude motor H-bridge



### Old main H-bridges



AS1100 standard drawing of the IR receiver holder



Arduino Uno