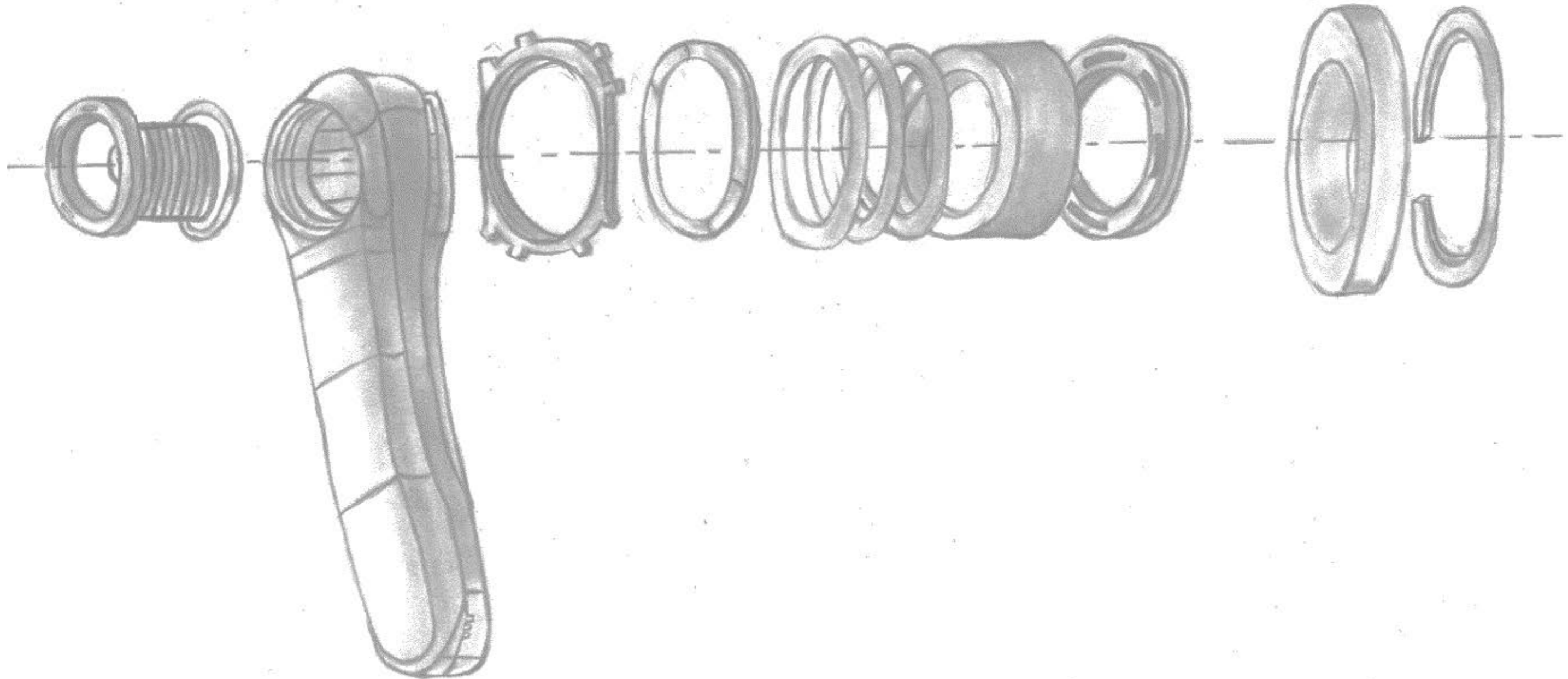


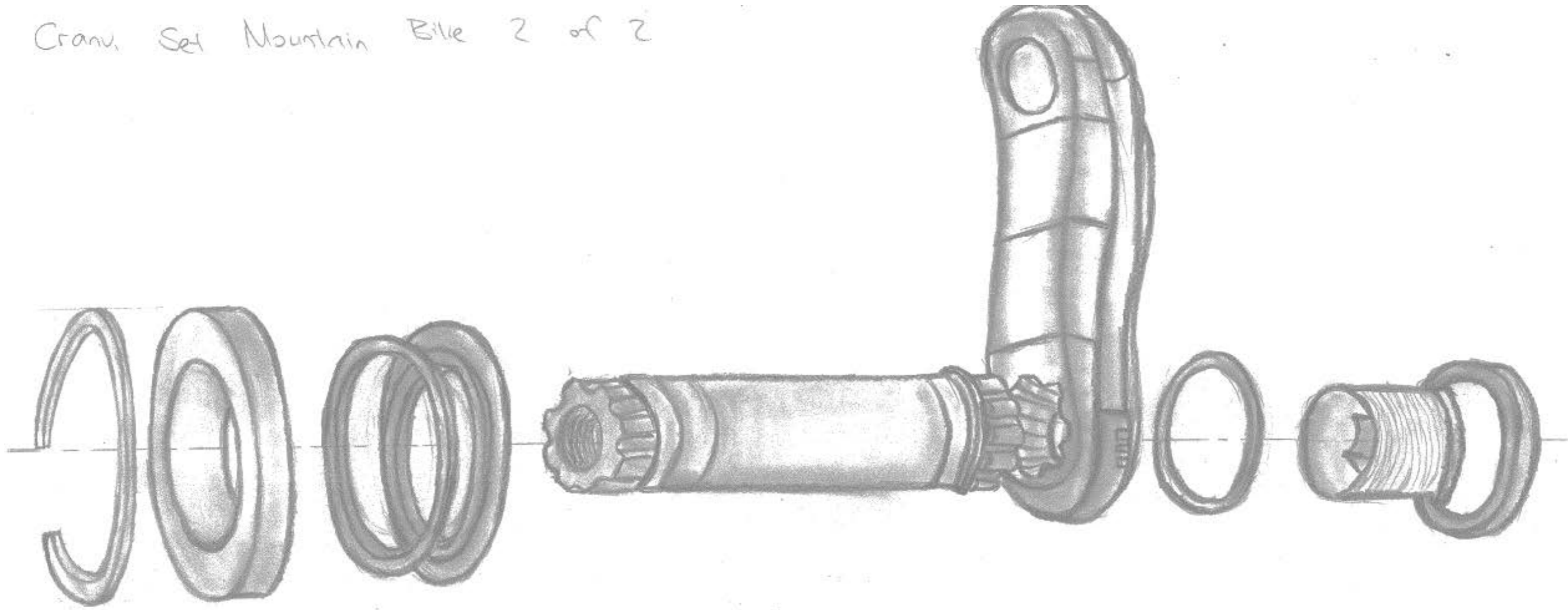
Crank Set Mountain Bike 1 of 2

I wanted to sketch out the different parts of a crank set to understand the smaller components that allowed for the crank set to operate, this was then appropriated to create the overall design of the crank set and the movement of its individual parts. It was important for me to visualize this part because of its relationship with the pedals and its components. Therefore, I had to adapt both the crank set and pedals so that they could operate together efficiently. This is 1 out of 2 sketches of the crank set.



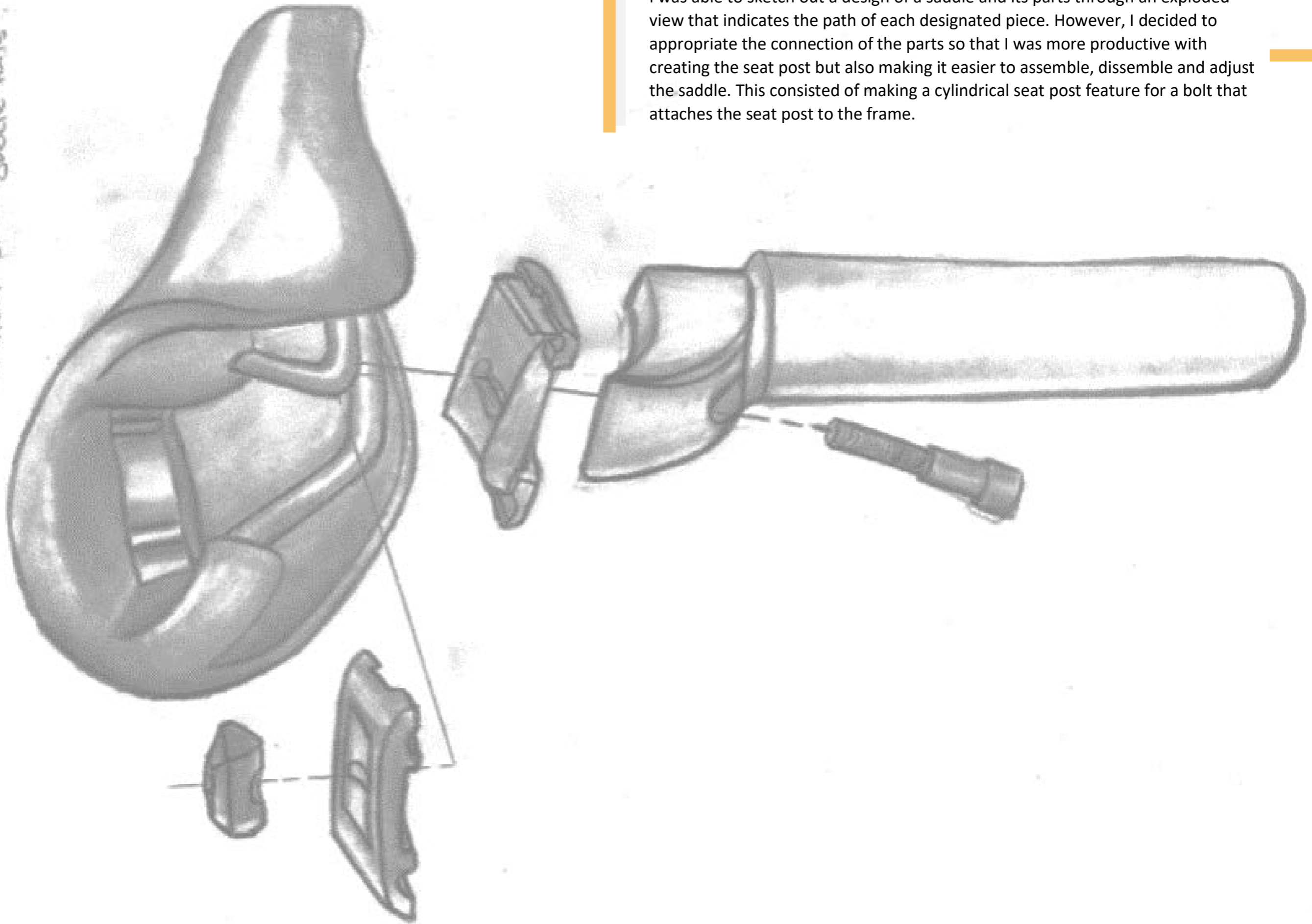
S  
K  
E  
T  
C  
H  
E  
S  
&  
I  
D  
E  
A  
G  
E  
N  
E  
R  
A  
T  
I  
O  
N

Cranu Set Mountain Bike 2 of 2



S I  
K D  
E E  
T A  
C H  
E G  
S E  
& N  
E R  
A T  
I O  
N

Mountain Bike - Saddle Parts

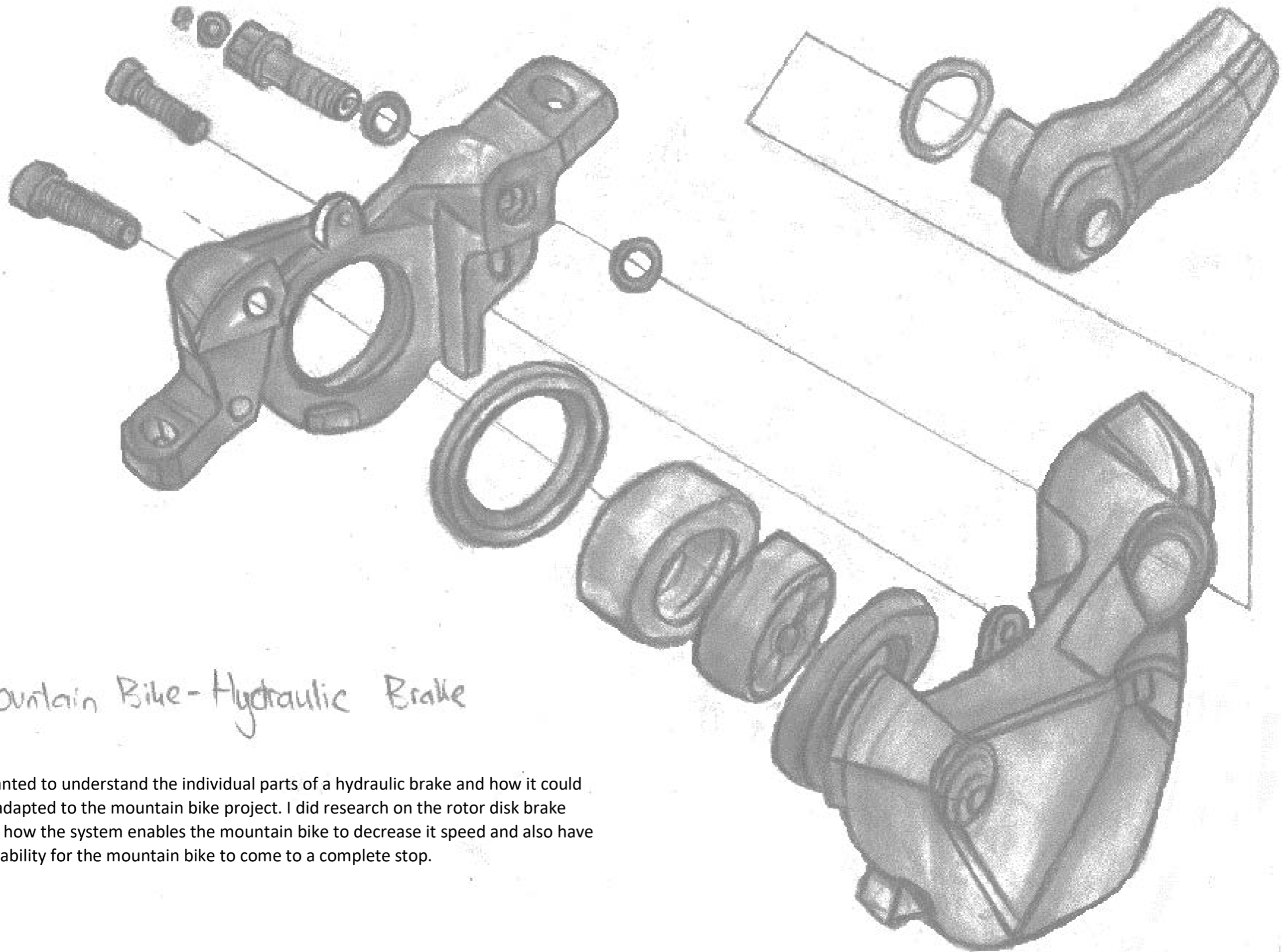


I was able to sketch out a design of a saddle and its parts through an exploded view that indicates the path of each designated piece. However, I decided to appropriate the connection of the parts so that I was more productive with creating the seat post but also making it easier to assemble, disassemble and adjust the saddle. This consisted of making a cylindrical seat post feature for a bolt that attaches the seat post to the frame.

S  
K  
E  
T  
C  
H  
E  
S  
&  
I  
D  
E  
A  
G  
E  
N  
E  
R  
A  
T  
I  
O  
N

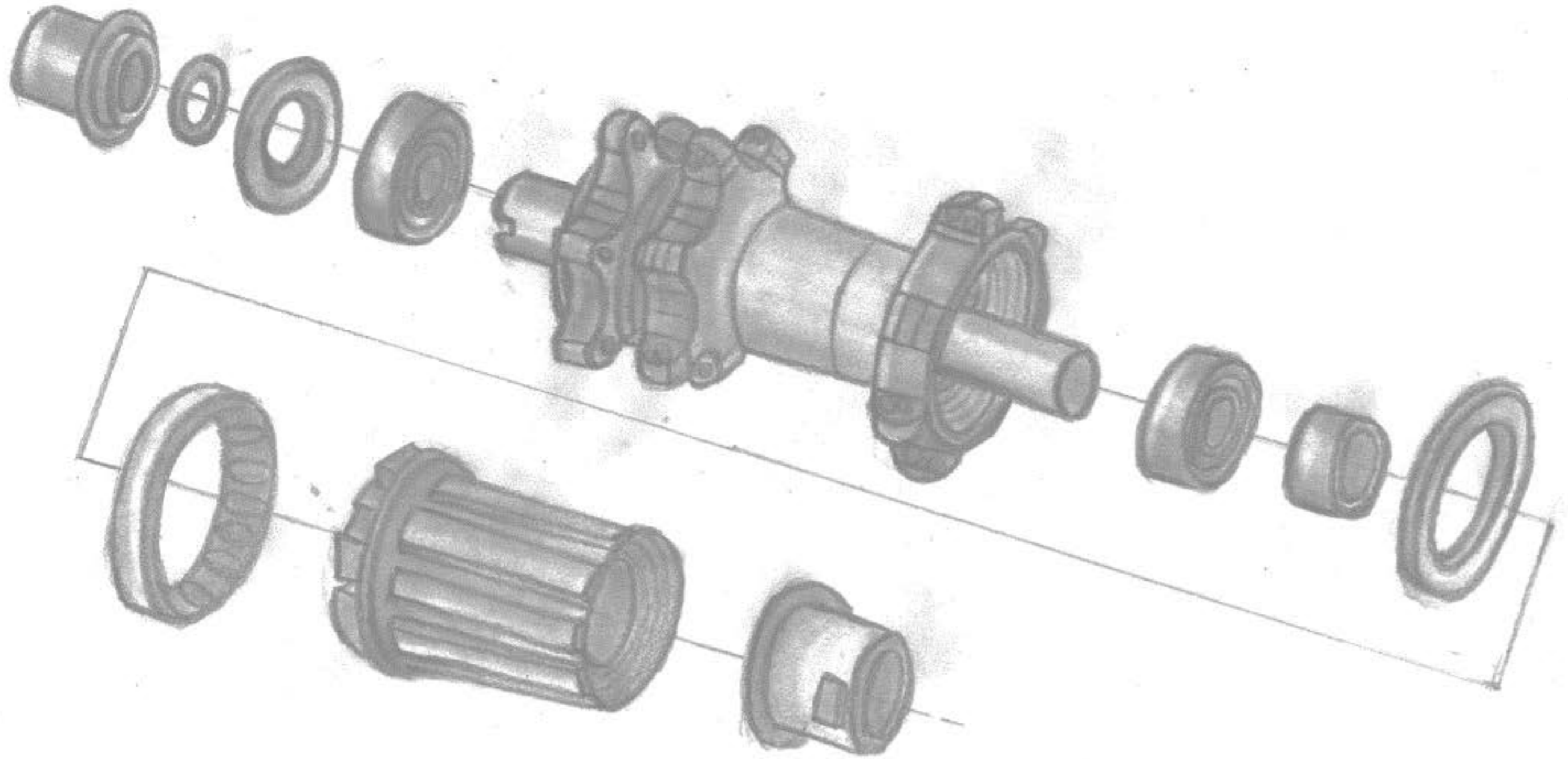
## Mountain Bike - Hydraulic Brake

I wanted to understand the individual parts of a hydraulic brake and how it could be adapted to the mountain bike project. I did research on the rotor disk brake and how the system enables the mountain bike to decrease its speed and also have the ability for the mountain bike to come to a complete stop.



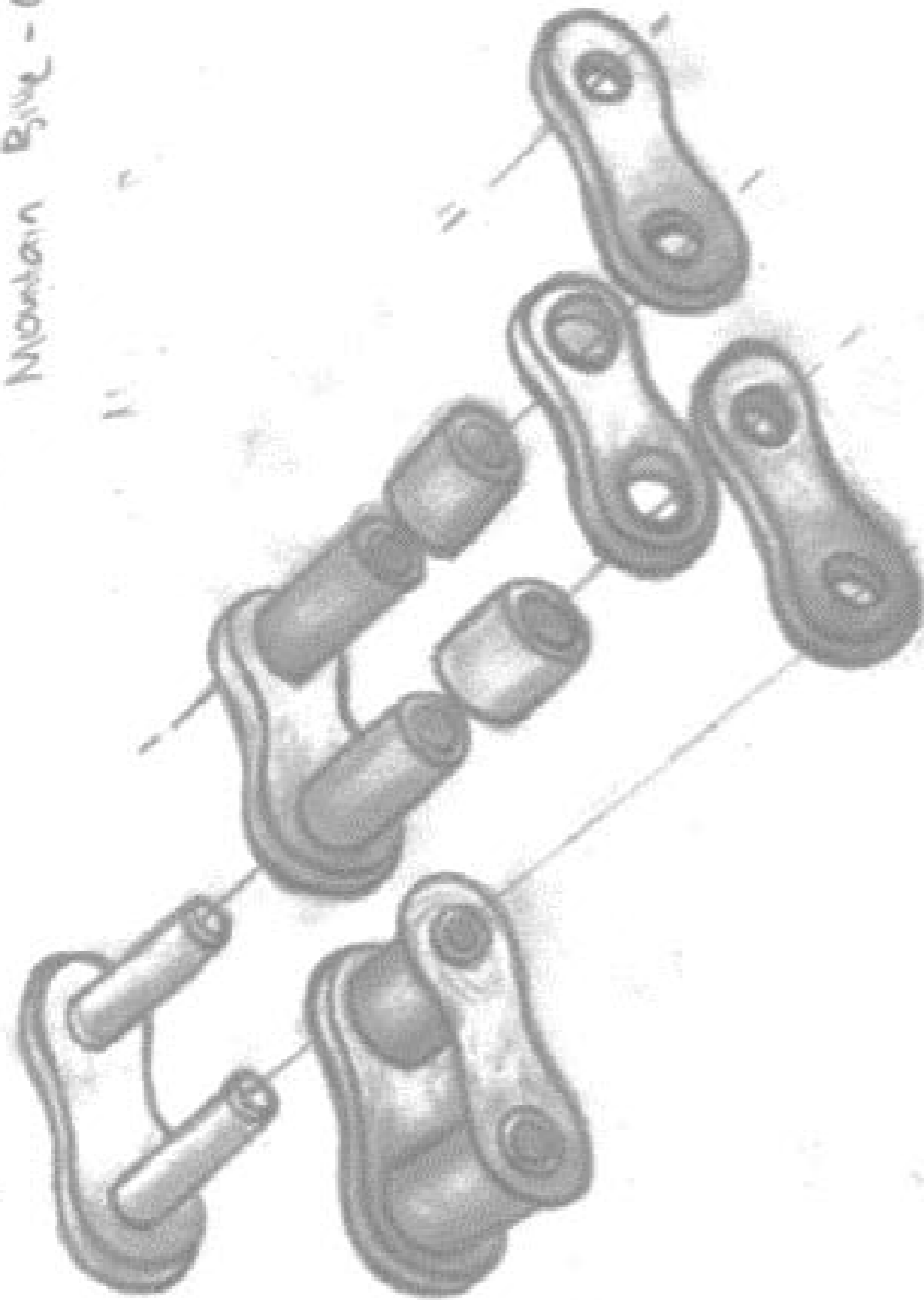
The freehub was sketched to understand the importance of bearings as well as the smaller components located inside the hub and also the differentiating parts of the front and rear wheel assemblies.

Mountain Bike - Freehub

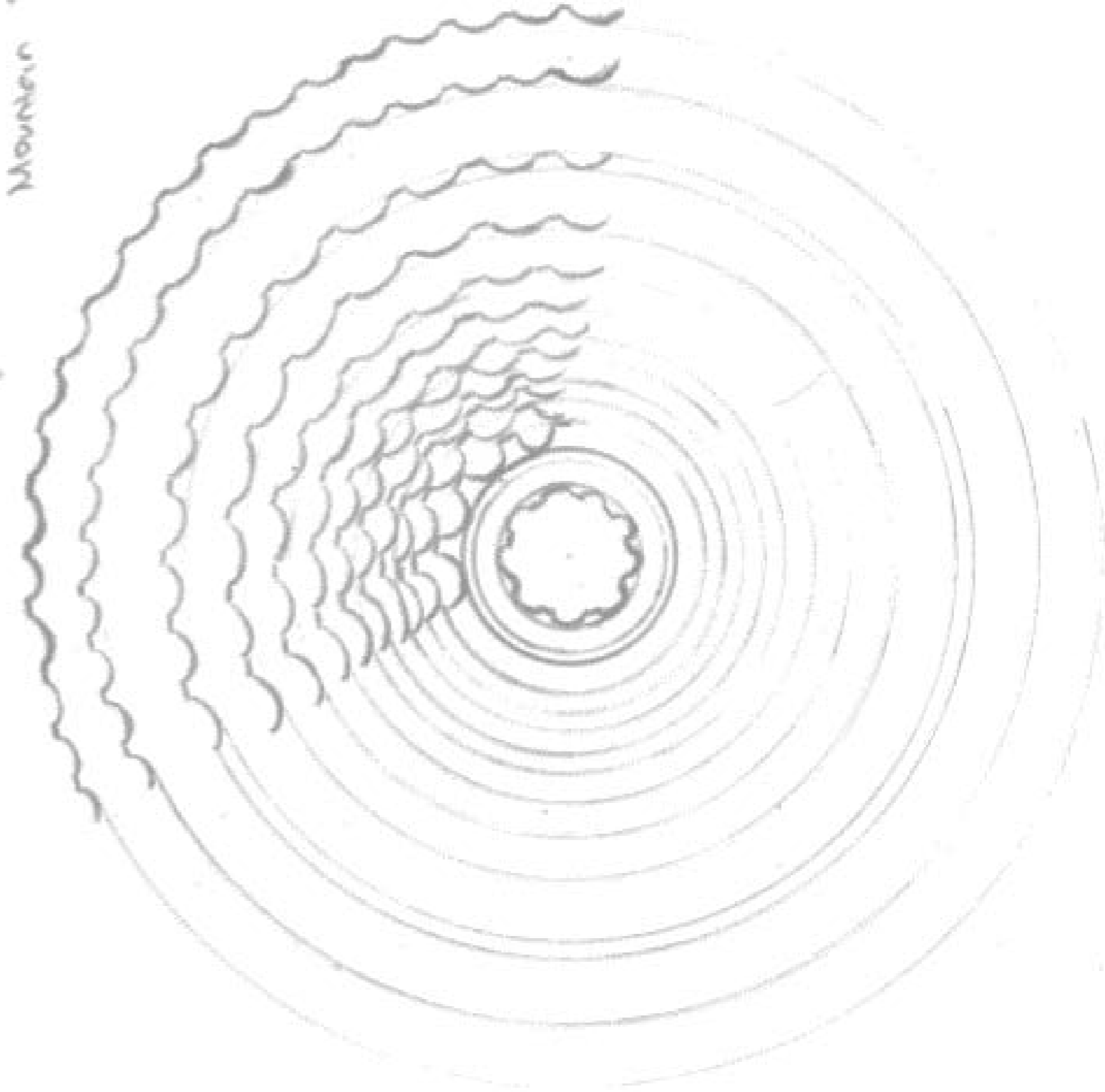


S  
K  
E  
T  
C  
H  
E  
S  
&  
I  
D  
E  
A  
G  
E  
N  
E  
R  
A  
T  
I  
O  
N

Mountain Bike - Chain



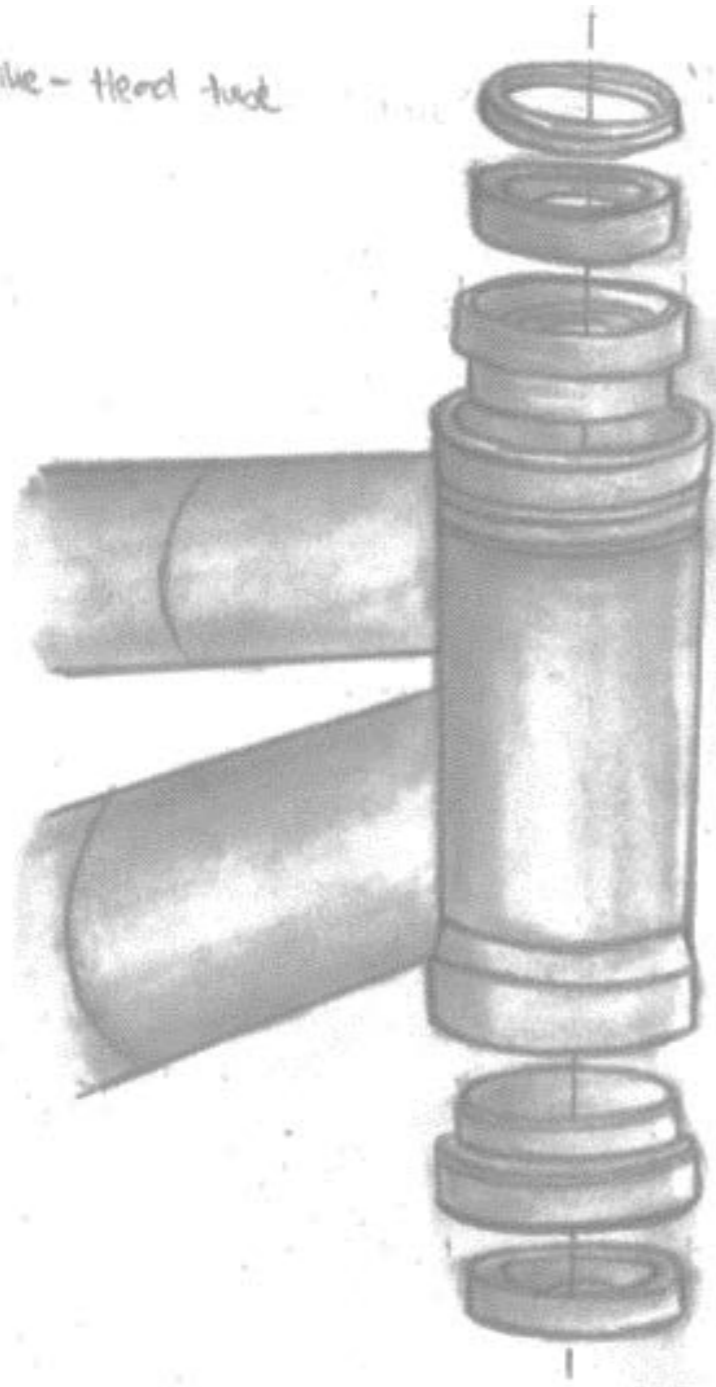
Mountain Bike - Cogset



The exploded view sketch of the chain is used to understand the intricate parts of each individual link and how the chain is created using the links between these parts.

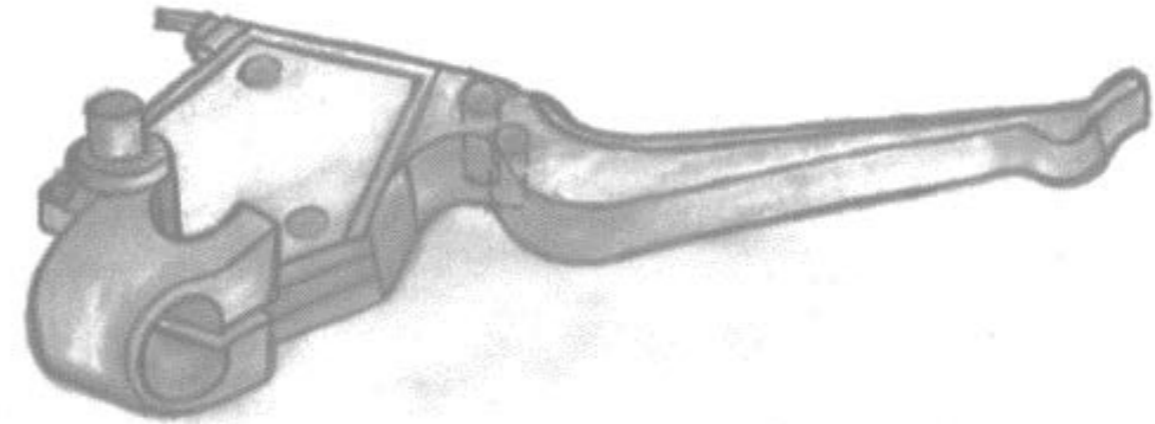
The cogset sketch was mainly to understand the different cogset wheels and how a mountain bike is built with high or low gear settings to increase performance and speed but also to acknowledge the variable of the riders experience level.

Mountain Bike - Head Tube



These are a few sketches that looked at different designs that could be appropriated and modified for the mountain bike project. This also allowed me to understand the significance of bearings and their relationship between movable parts.

Mountain Bike - Brake Design



Mountain Bike - Fork

